

TG/TC 3 1/2" Full Range



Type Number: TG9FD-10-04

Features:

The TG/TC series offers a high performance full range and mid-bass solution for TV products and other compact applications. Extensive development work by the Peerless audio engineering team, and the use of leading-edge technologies like polymer-chassis, NRSC (Tymphany patent) Glass Fibre or Paper Cone and CU-cap on pole piece, have made this full range driver appear on many industry insider lists as the best sounding solution in this market.

Driver Highlights: 3 1/2" full range driver



Specs:

Power handling

| | | |
|---------------------------------|----|------|
| Rated Noise Power (IEC 18.1) | -- | W |
| 100h RMS noise test (IEC) | -- | W |
| Long-term Max Power (IEC 18.3) | -- | W |
| Max linear SPL (rms) @ power | -- | dB/W |
| Short Term Max power (IEC 18.2) | -- | W |

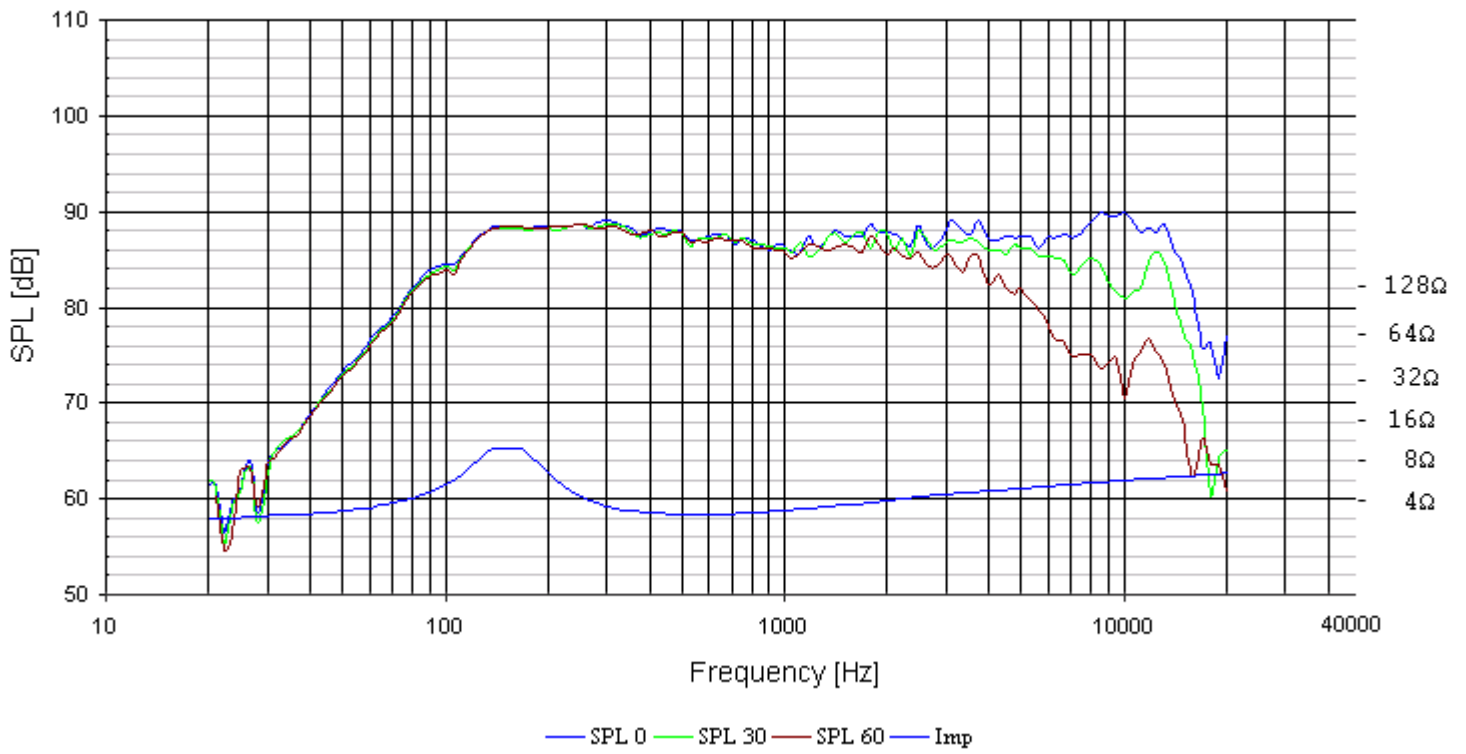
Voice Coil and Magnet Parameters

| | | |
|-------------------------|-------|-----|
| Voice coil diameter | 19.4 | mm |
| Voice coil height | 9.3 | mm |
| Voice coil layers | 2 | |
| Height of the gap | 3 | mm |
| Linear excursion +/- | 3.15 | mm |
| Max mech. excursion +/- | -- | mm |
| Flux density of gap | -- | mWb |
| Total useful flux | -- | mWb |
| Diameter of magnet | 60 | mm |
| Height of magnet | 9 | mm |
| Weight of magnet | 0.107 | Kg |

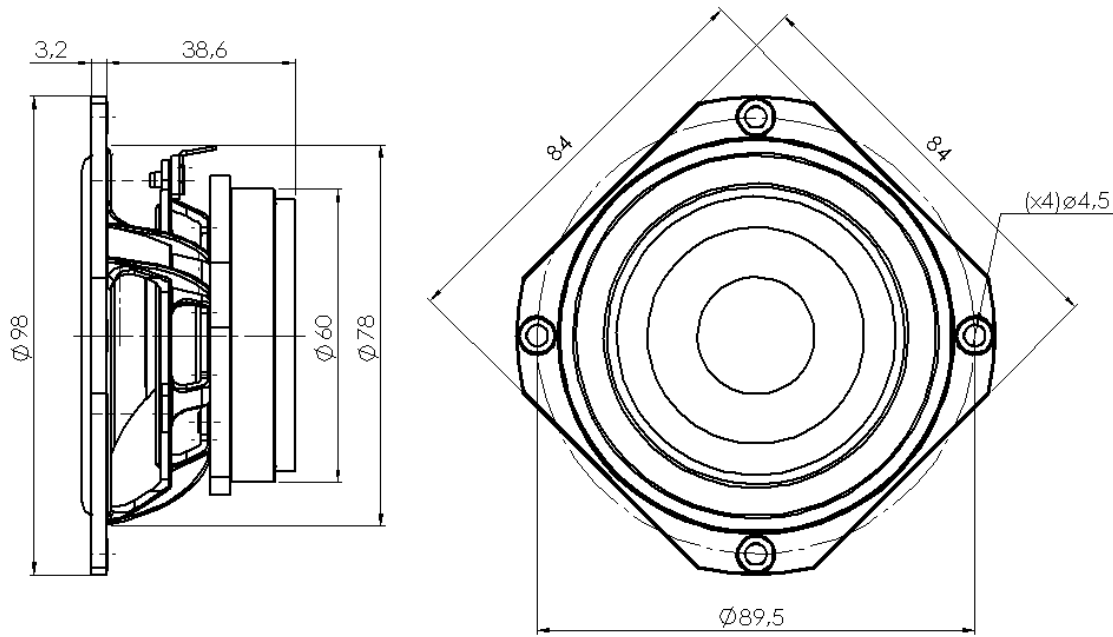
Misc. Parameters

| | | |
|--------------------------------------|----|----|
| Effective Frequency range (IEC 21.2) | -- | Hz |
| Performance Temp. range (IEC 25.1.1) | -- | °C |
| Damage Temp. range (IEC 25.1.2) | -- | °C |
| Relative Humidity Range (IEC 25.2.1) | -- | % |
| Damage Humidity Range (IEC 25.2.2) | -- | % |

Frequency: TG9FD-10-04



Mechanical Dimensions: TG9FD-10-04



TG9FD-10-04