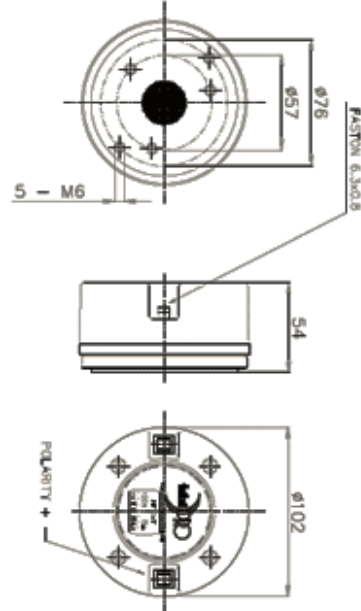




HF10AK Compression Driver



NOMINAL SPECIFICATIONS

Throat Diameter	25,4 mm (1 in)
Overall Diameter	102 mm (4.02 in)
Depth	54 mm (2.13 in)
180° Mounting Holes Diameter (2xM6)	76 mm (2.99 in)
120° Mounting Holes Diameter (3xM6)	57 mm (2.24 in)
Net Weight	1.4 Kg (3.09 lb)
Shipping Box	147x130x82 mm (5.79x5.12x3.23 in)
Shipping Weight	1.48 Kg (3.26 lb)

ORDERING CODES

Faston Terminals - 8 Ohm Version	TBA
Faston Terminals - 16 Ohm Version	TBA

ELECTRICAL SPECIFICATION

Nominal Impedance	8 ohm
Minimum Impedance	6.5 ohm
Re	5.8 ohm
Minimum Crossover Frequency *	1.3 kHz
Sensitivity (1W/1m) **	110 dB
Frequency Range	0.8÷20 kHz
Nominal Power Handling ***	60 W
Maximum Power Handling ****	120 W
Diaphragm Material	Ketone Polymer
Voice Coil Diameter	44 mm (1.73 in)
Winding Material	Copper Clad Aluminium
Winding Depth	2.45 mm (0.10 in)
Former Material	Kapton
Magnetic Gap Depth	2.75 mm (0.11 in)
Flux Density	1.9 T

NOTES

(*) 12 dB/oct or higher slope high-pass filter

(**) Averaged within the frequency range

(***) Test made for 2 hours with Pink Noise signal (6 dB Crest Factor) from minimum crossover frequency. Power calculated on rated minimum impedance. Driver mounted on aluminium horn.

(****) Maximum power is defined as 3dB greater than nominal power.

CURVES

