

### TECHNICAL SPECIFICATIONS

Rated impedance	16 ohms.
Minimum impedance	10 ohms.
Force (peak)	20 kgf 196 N
Power capacity (continuous)	50 w AES
Power capacity (maximum)	100 w
Resonant frequency, fs	47 Hz
Frequency range	20 - 100 Hz
Recommended low pass filter, fc	120 Hz, 18 dB/oct. min.
Voice coil diameter	77 mm. 3 in.

### MOUNTING INFORMATION

Overall dimensions	156 x 156 mm. 6.14 x 6.14 in.
Depth	64 mm. 2.52 in.
Mounting	Four Ø7 mm. passing holes, 90° apart on a 162.6 mm (6.40 in.) diameter circle
Net weight	1.5 kg. 3.3 lb.
Shipping weight	1.6 kg. 3.52 lb.

### MATERIALS

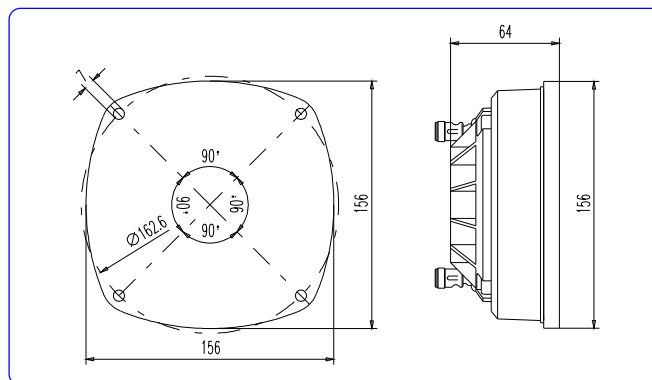
- **Voice coil:** copper.
- **Voice coil former:** fiber glass.
- **Magnet:** neodymium.

### GENERAL DESCRIPTION

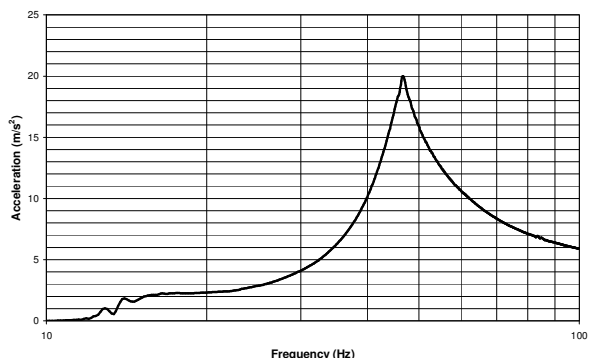
This bass shaker has been designed in order to add new sensations to the state of the art home theatre systems. It features a 3" voice coil and an optimized neodymium magnetic system that allow it to reach an excellent performance: a peak force of 196 N and a maximum power handling of 100 w. For optimum results, a low pass filter with a cut frequency of 120 Hz should be used.



### DIMENSION DRAWINGS



### FREQUENCY RESPONSE



Note: acceleration data were obtained applying maximum power.

### FREE AIR IMPEDANCE CURVE

